



## LED Slim Downlight EcoMax

### Features

- Looking good
- Flick free
- The right tech

### Benefits

- Beauty inside and outside
- Stress free ambient light
- More than 30Khrs lifespan
- High lumen output
- Flexible & Fits closer to ceiling

### Application

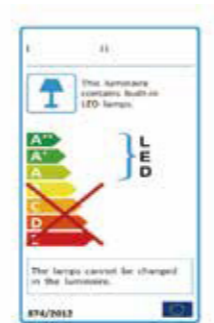


### Specification

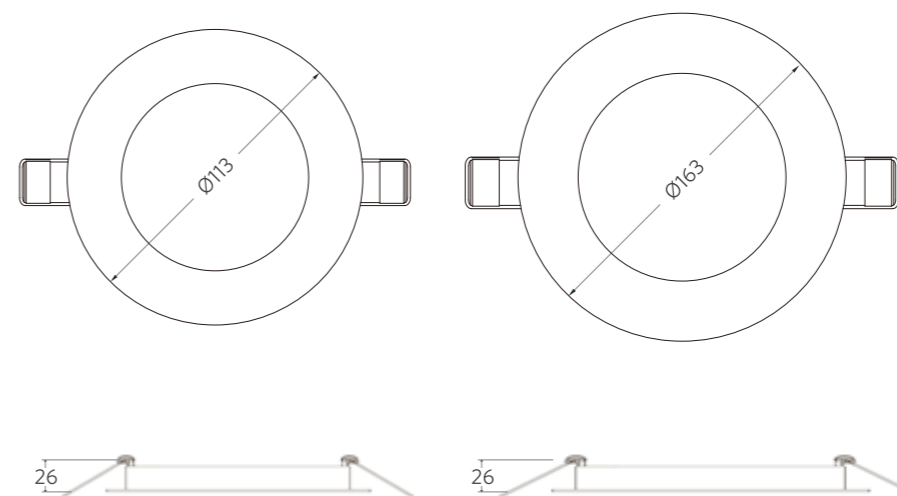
Order Name	Power (W)	Power Factor	Lumen (lm)	Efficacy (lm/W)	Input Current (mA)	CRI	CCT (K)	Lifetime (L70B50)	MOQ (pcs)	Remark
DL6WW-R-SLIM	6	0.5	360	60	64	≥80	3000	30Khrs	600	High Voltage
DL6WC-R-SLIM	6	0.5	380	63	64	≥80	4000	30Khrs	600	High Voltage
DL6WD-R-SLIM	6	0.5	400	67	64	≥80	6000	30Khrs	600	High Voltage
DL12WW-R-SLIM	12	0.5	800	67	120	≥80	3000	30Khrs	600	High Voltage
DL12WC-R-SLIM	12	0.5	850	71	120	≥80	4000	30Khrs	600	High Voltage
DL12WD-R-SLIM	12	0.5	880	73	120	≥80	6000	30Khrs	600	High Voltage
DL18WW-R-SLIM01	18	0.5	1200	67	150	≥80	3000	30Khrs	600	High Voltage
DL18WC-R-SLIM01	18	0.5	1280	71	150	≥80	4000	30Khrs	600	High Voltage
DL18WD-R-SLIM01	18	0.5	1320	73	150	≥80	6000	30Khrs	600	High Voltage
DL18WW-R-SLIM02	18	0.5	1200	67	150	≥80	3000	30Khrs	600	High Voltage
DL18WC-R-SLIM02	18	0.5	1280	71	150	≥80	4000	30Khrs	600	High Voltage
DL18WD-R-SLIM02	18	0.5	1320	73	150	≥80	6000	30Khrs	600	High Voltage
DL6WW-S-SLIM	6	0.5	380	63	64	≥80	3000	30Khrs	600	High Voltage
DL6WC-S-SLIM	6	0.5	400	67	64	≥80	4000	30Khrs	600	High Voltage
DL6WD-S-SLIM	6	0.5	420	70	64	≥80	6000	30Khrs	600	High Voltage
DL12WW-S-SLIM	12	0.5	820	68	120	≥80	3000	30Khrs	600	High Voltage
DL12WC-S-SLIM	12	0.5	870	73	120	≥80	4000	30Khrs	600	High Voltage
DL12WD-S-SLIM	12	0.5	900	75	120	≥80	6000	30Khrs	600	High Voltage
DL18WW-S-SLIM	18	0.5	1230	68	150	≥80	3000	30Khrs	600	High Voltage
DL18WC-S-SLIM	18	0.5	1320	73	150	≥80	4000	30Khrs	600	High Voltage
DL18WD-S-SLIM	18	0.5	1350	75	150	≥80	6000	30Khrs	600	High Voltage

Technical Specifications	
On / Off Cycles	50,000
Colour Consistency (SDCM)	6
Dimmable	No
Beam Angle (°)	110
Finishing Colour	White
IP	IP20,IP44 for exposed part
Driver Integrated (Yes/No)	No
Glow Wire Test	650°C
Driver Failure Rate	1% at 5000h
Weight (kg/pc)	0.15/0.25/0.34/0.18/0.32/0.43 /0.14/0.25/0.34/0.17/0.32/0.42

Electrical Supply	
Frequency (Hz)	50/60
Voltage (V)	100-240/220-240
AC/DC	AC
Mechanical Properties	
Housing Material	Metal
Optical Material	PMMA
Application Conditions	
Operating Temperature	-10-40°C
Application Temperature	25°C
Storage Environment	-25-50°C

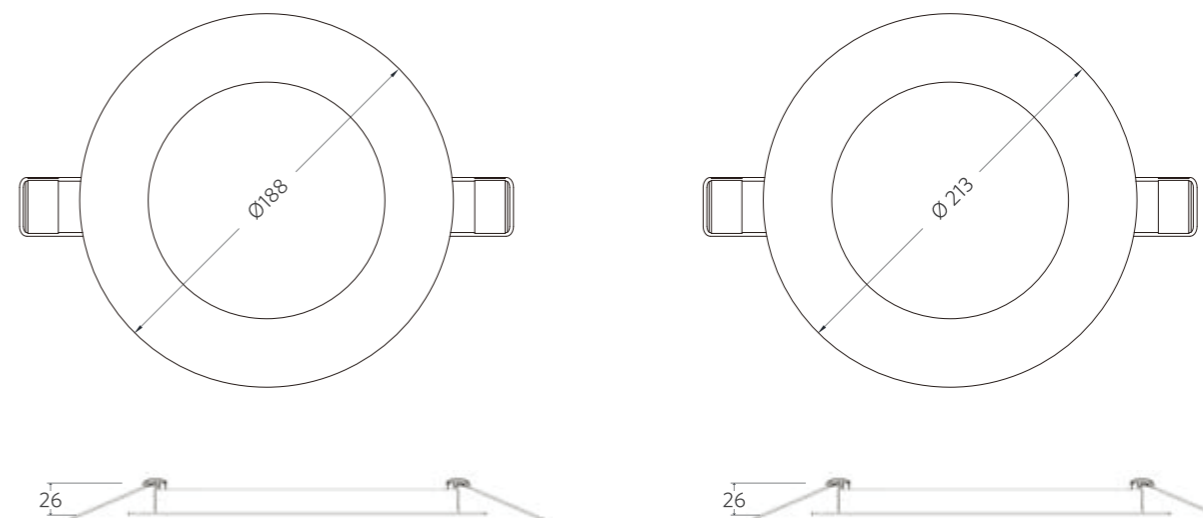


### Dimensional Drawing



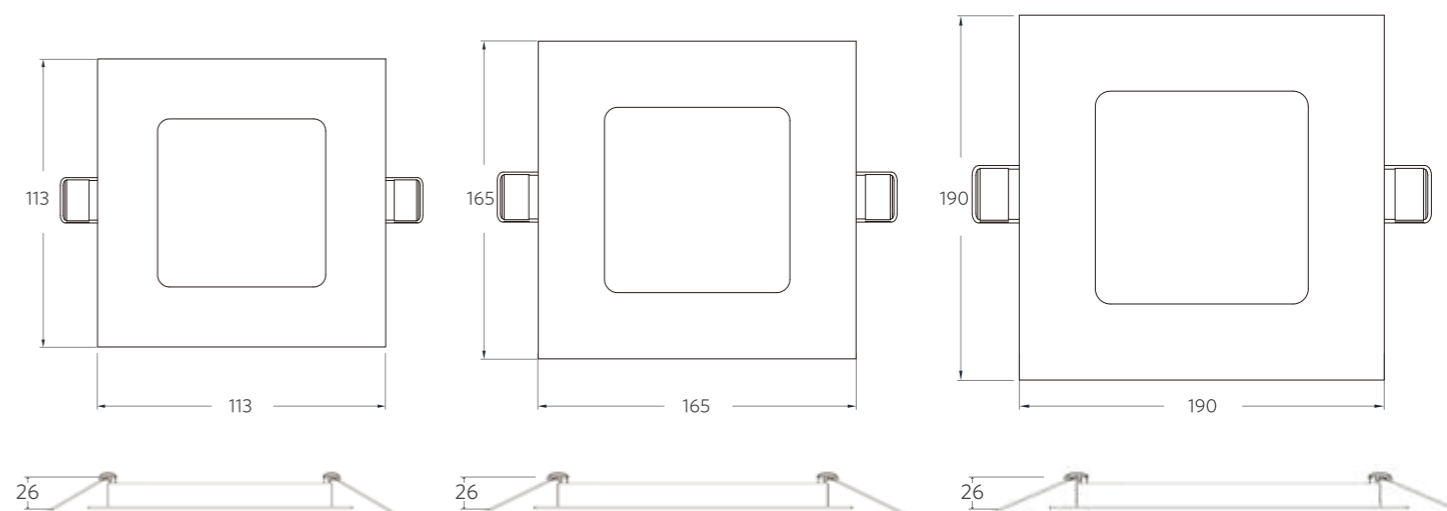
6W

12W



18W

18W



6W

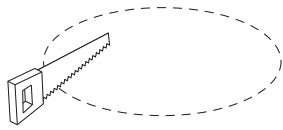
12W

18W

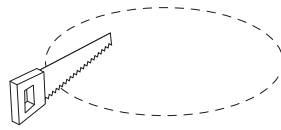
### Packaging Information

Order Name	Single Box(1pc/box)		Packaging Unit			Remark
	Dimensions(mm) (LxWxH)	Gross Weight (kg)	Dimensions(mm) (LxWxH)	Gross Weight (kg)	Packing Qty (pcs/unit)	
DL6WW-R-SLIM	172*132.5*50	0.25	556*362*282	10.04	40	High Voltage
DL6WC-R-SLIM	172*132.5*50	0.25	556*362*282	10.04	40	High Voltage
DL6WD-R-SLIM	172*132.5*50	0.25	556*362*282	10.04	40	High Voltage
DL12WW-R-SLIM	222*182.5*50	0.40	570*462*282	12.09	30	High Voltage
DL12WC-R-SLIM	222*182.5*50	0.40	570*462*282	12.09	30	High Voltage
DL12WD-R-SLIM	222*182.5*50	0.40	570*462*282	12.09	30	High Voltage
DL18WW-R-SLIM01	257*227.5*50	0.51	532*474*282	10.24	20	High Voltage
DL18WC-R-SLIM01	257*227.5*50	0.51	532*474*282	10.24	20	High Voltage
DL18WD-R-SLIM01	257*227.5*50	0.51	532*474*282	10.24	20	High Voltage
DL18WW-R-SLIM02	257*227.5*50	0.51	532*474*282	10.24	20	High Voltage
DL18WC-R-SLIM02	257*227.5*50	0.51	532*474*282	10.24	20	High Voltage
DL18WD-R-SLIM02	257*227.5*50	0.51	532*474*282	10.24	20	High Voltage
DL6WW-S-SLIM	176*156.5*50	0.30	652*370*282	11.88	40	High Voltage
DL6WC-S-SLIM	176*156.5*50	0.30	652*370*282	11.88	40	High Voltage
DL6WD-S-SLIM	176*156.5*50	0.30	652*370*282	11.88	40	High Voltage
DL12WW-S-SLIM	226*206.5*50	0.49	642*470*282	14.64	30	High Voltage
DL12WC-S-SLIM	226*206.5*50	0.49	642*470*282	14.64	30	High Voltage
DL12WD-S-SLIM	226*206.5*50	0.49	642*470*282	14.64	30	High Voltage
DL18WW-S-SLIM	252*232.5*50	0.61	522*484*282	12.22	20	High Voltage
DL18WC-S-SLIM	252*232.5*50	0.61	522*484*282	12.22	20	High Voltage
DL18WD-S-SLIM	252*232.5*50	0.61	522*484*282	12.22	20	High Voltage

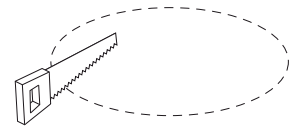
## Cut-out Drawing



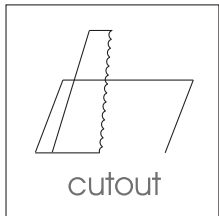
Ø100  
6W



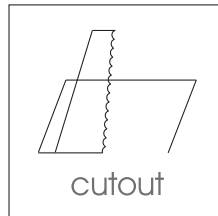
Ø150  
12W



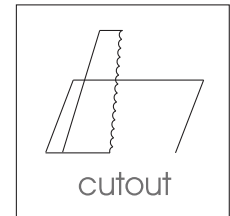
Ø175 / Ø200  
18W



100X100  
6W

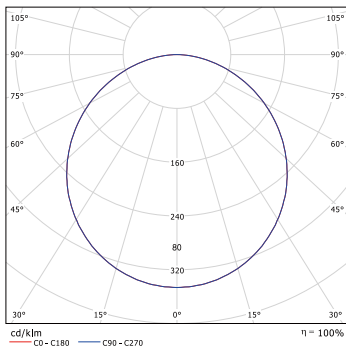


150X150  
12W



175X175  
18W

## Photometric Data



110°(6W/12W/18W)